

1 2 3 4 5 6

A

B

C

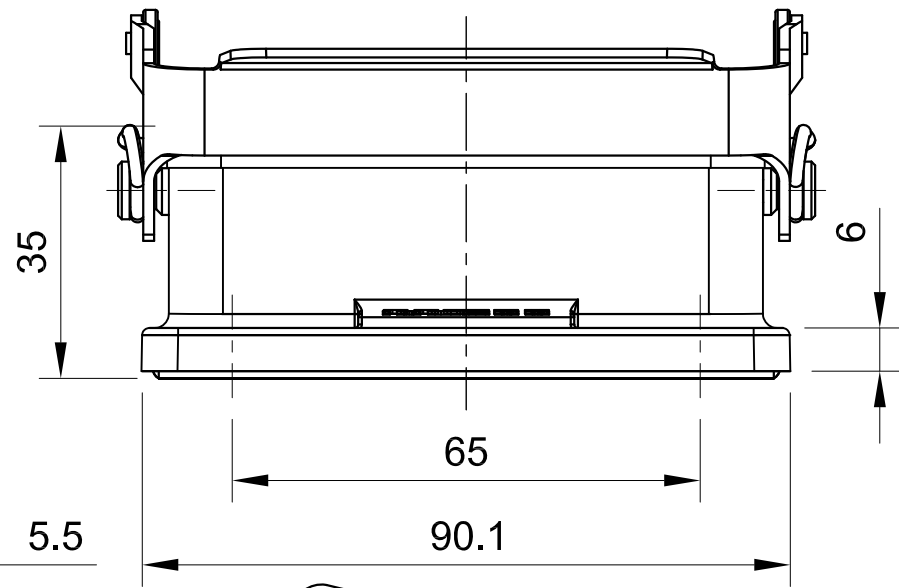
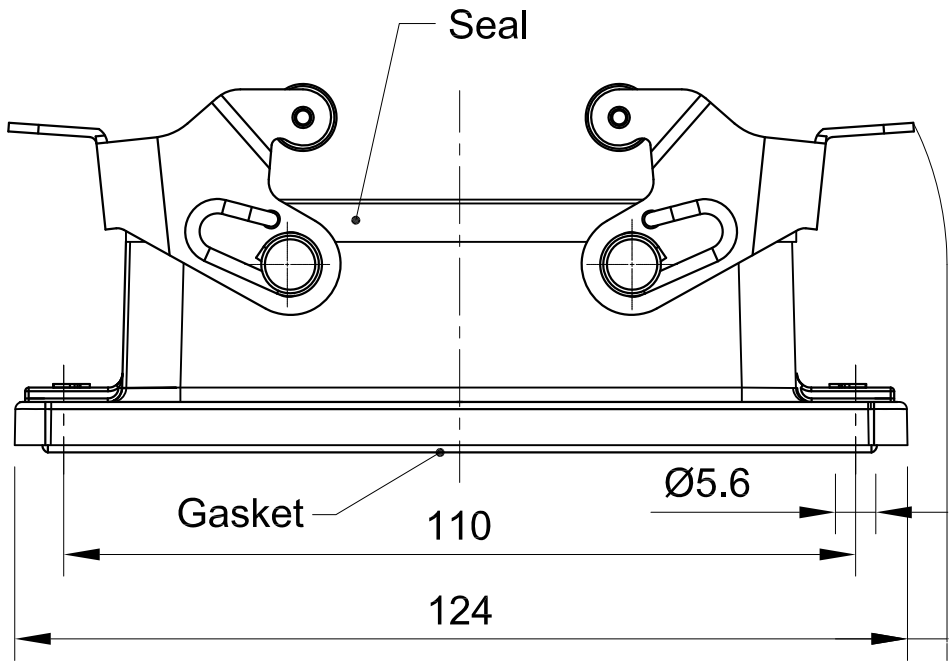
D

A

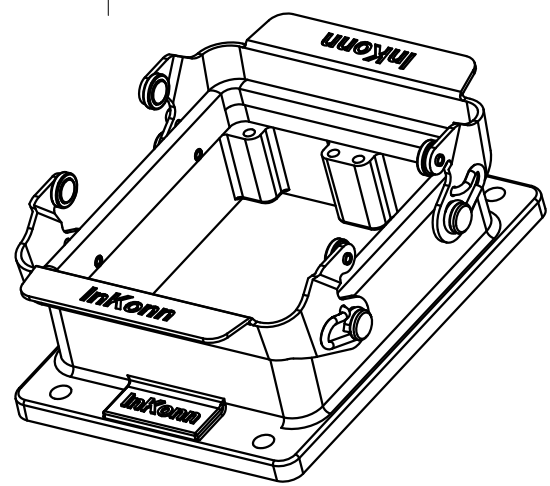
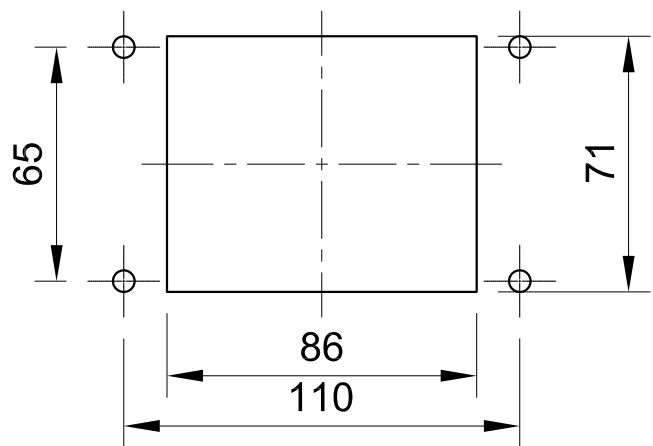
B


C

D



panel cut out (1:2)



 InKonn (Suzhou) Electric Technology Co.,Ltd.	All Dimensions in mm Original Size DIN A4	Date 2020-03-24	Drawing No. TC4864174	Rev. A00	Scale 1:1.5
	Part No. 10 11 032 0560	Created by Shuxu Huang	Checked by Yiyi Luo	Type Name HB32-BM-DL/S	Page 1/1

1 2 3 4 5 6